



## Low Reactance Resistance Welding Cables

Kickless Cables are available with different terminals depending on the mm<sup>2</sup>-rating required. The illustrations overleaf show the most popular versions and table (A) indicates the extent of availability. The water-connections on AC terminals are 1/4" BSP. All other terminals have 1/4" BSPT water-connections.

We are always prepared to consider other terminal designs, where these are required in reasonable quantities.



Standard Lengths (Metres)*	1.2, 1.3, 1.4, 1.5, 1.6, 1.8, 2.0, 2.2, 2.5, 3.0, 3.5, 4.0, 4.5. Other lengths available on request.
Water feed hose	Minimum 10mm diameter
Cooling water pressure	Minimum 2Kg/cm <sup>2</sup> (30psi) Maximum 14Kg/cm <sup>2</sup> (200psi)
Cooling water outlet temperature	Maximum 80°C
Cooling water flow rate	Minimum 9 litres/minute (2gpm)
Terminals material	High conductivity copper
Outer hose	Flexible, braid reinforced, abrasion, oil and ozone resistant rubber, silicon free.
Internal construction	Six flexible, multi-strand copper ropes wound helically around a fluted rubber central core. Conductors of opposite polarity are separated by a seamless, high abrasion-resistant insulating tube.

Sizes (MCM)	300	320	400	450	500	650
(mm <sup>2</sup> )	2 x 150	2 x 160	2 x 200	2 x 225	2 x 250	2 x 325
Cable outside dia. (mm)	46	46	52	55	55	64
Standard terminal outside dia. (mm)	37	37	41	45	45	51
Resistance **	0.258	0.239	0.194	0.172	0.155	0.119

\* Length measured between centre-lines of terminal fixing holes.

\*\* Measured in milli-ohms per metre of cable (not per electrical side) at 50Hz and 80°C.

Our policy is one of continual research and development. We therefore reserve the right to amend without notice the specifications given in this document.

## Terminal Selection

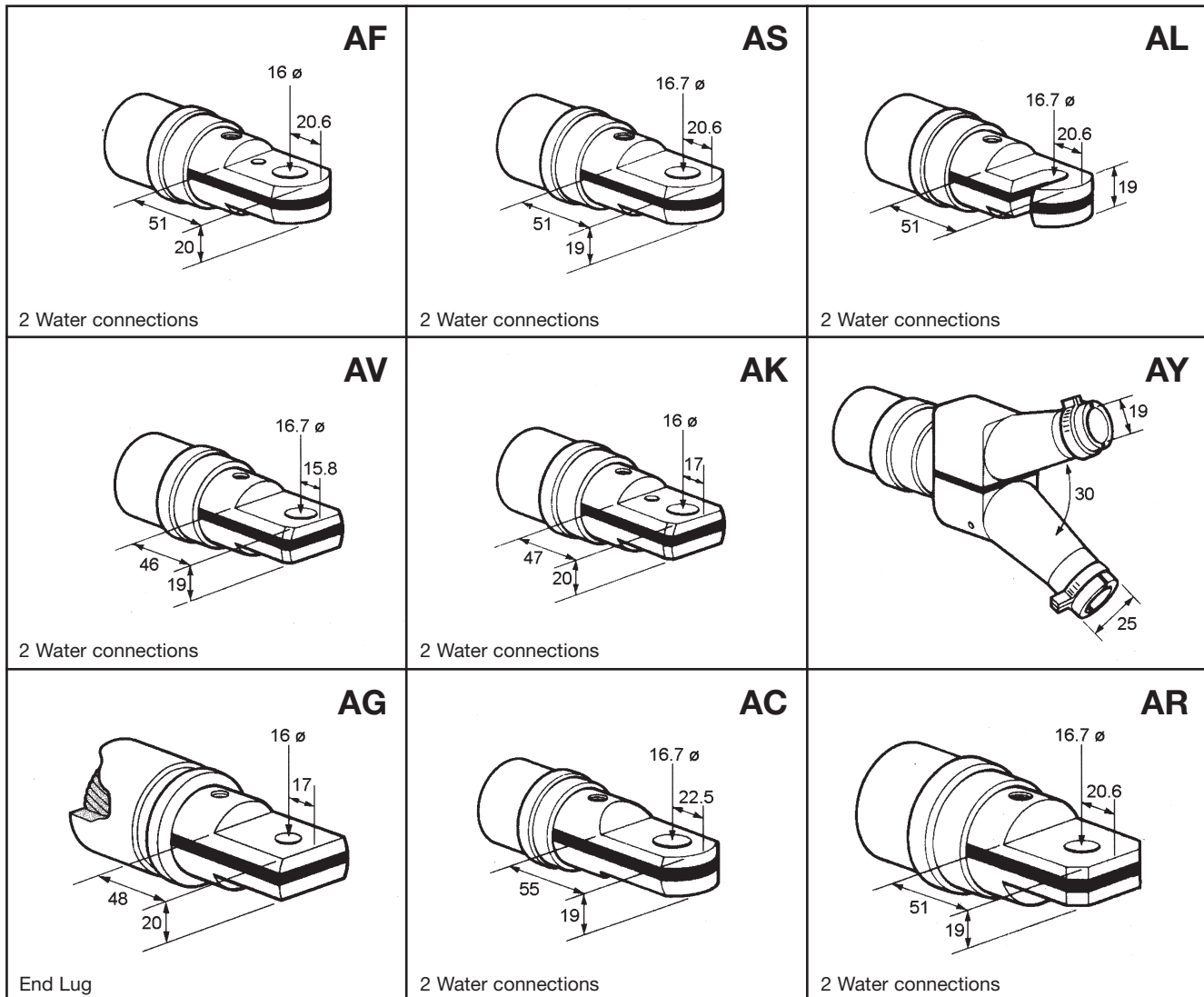


Table (A) – Availability chart

MM <sup>2</sup> size	Terminal Type										Terminal diameter	Outer hose diameter
	AF	AS	AL	AV	AK	AY	AG	AC	AR			
150/160	•	•	•	•	•	•	•	•	•	•	36.5	51
200	•	•	•	•	•	–	•	•	•	–	41.3	56
225	•	•	•	•	•	•	•	•	•	–	44.5	59
250	•	•	•	•	•	•	•	•	•	•	46.0	60
325	–	–	–	–	–	–	–	–	–	–	50.8	65

**Weld Suppliers Australasia Pty Ltd**

Unit 6, 17-19 Somerton Park Drive, Campbellfield, Vic., Australia 3061

Phone: +61 3 9305 4999 Fax: +61 3 9308 6593 Email: [info@weldsuppliers.com.au](mailto:info@weldsuppliers.com.au)